

HARDWALL CYC HEIGHT - 25 ft.

DRAPERY TRACK @ 26" - BLACK

48 CH. DIMMER CAPABILITY

PATCH PANEL
1800 A. TOTAL

COUNTERWEIGHTED ARBOR SYSTEM

230-41

348-9 236-7

EXIT

COUNTERWEIGHTED ARBOR SYSTEM

232-5

226-31

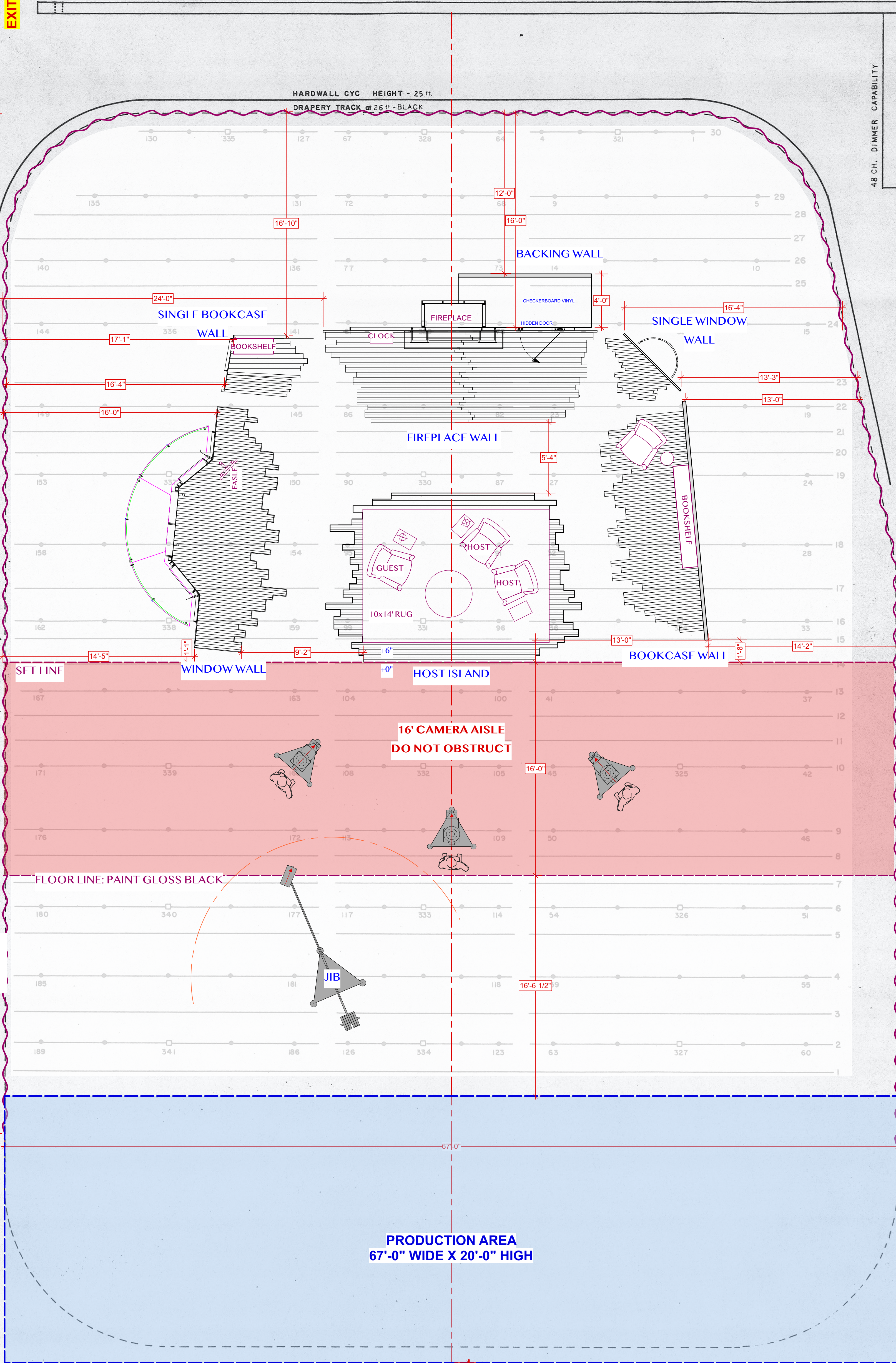
3467 226-7

EXIT

222-5

EXIT

EXISTING BLACK DUVEYNE DRAPES
ON TRACK



SET LINE

FLOOR LINE: PAINT GLOSS BLACK

PROJECTION BOOTHS

AUDIENCE
ENTRANCE

LOADING DOOR
15'-6" WIDE X 13'-6" HIGH
54" ABOVE SIDEWALK

PORTS

DE LONGPRE AVENUE

TRUE STORY WITH ED & RANDALL

1/4" GROUNDPLAN

EPISODE TITLE: INTERVIEWS

DIRECTOR: TBD

EPISODE #: TBD READ DATE: 00-00-00

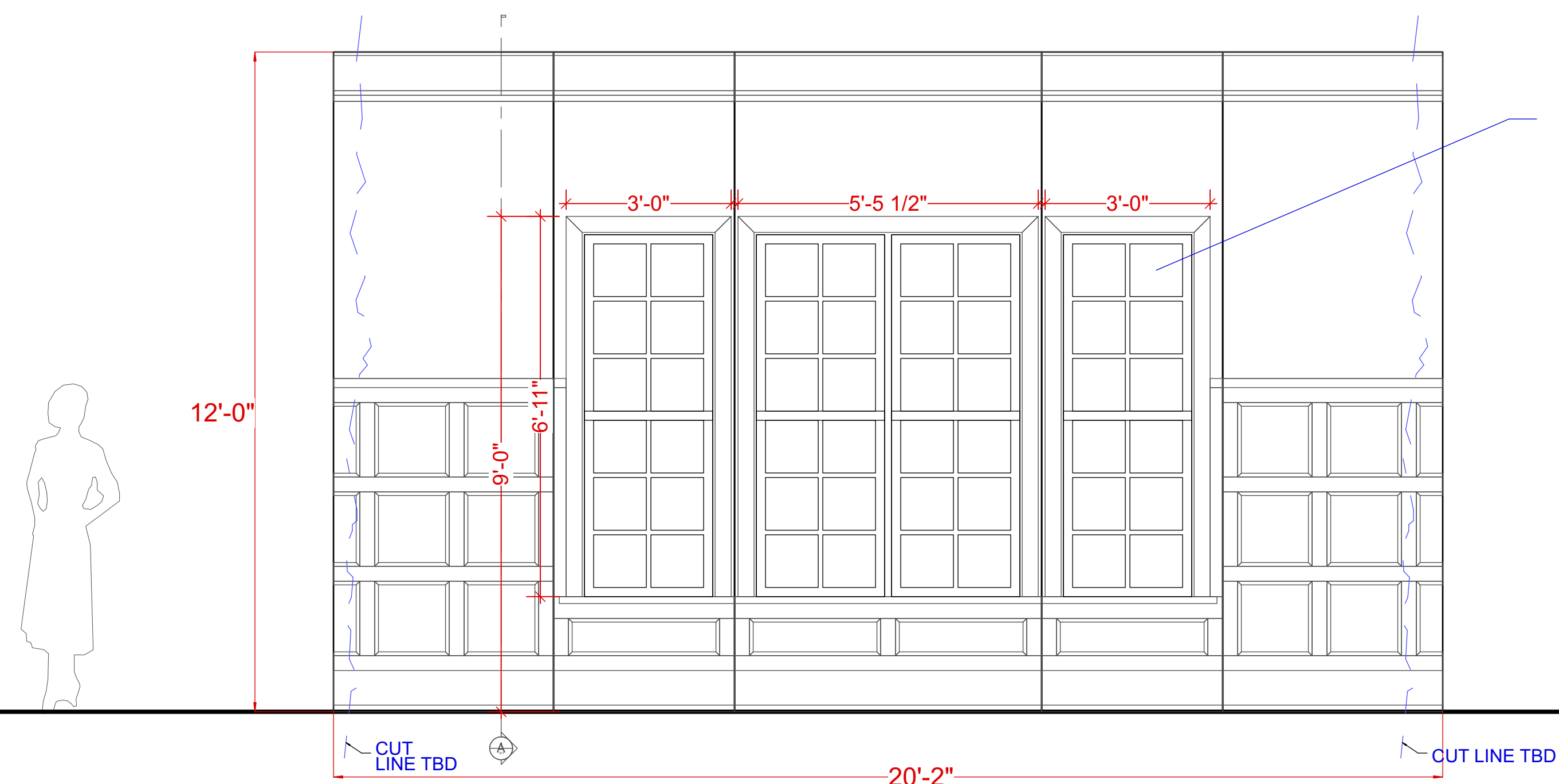
DATE DRAWN: 04-01-21 SHOW DATE: 00-00-00

PROD. DESIGNER:
ADAM ROWE
818-252-6837

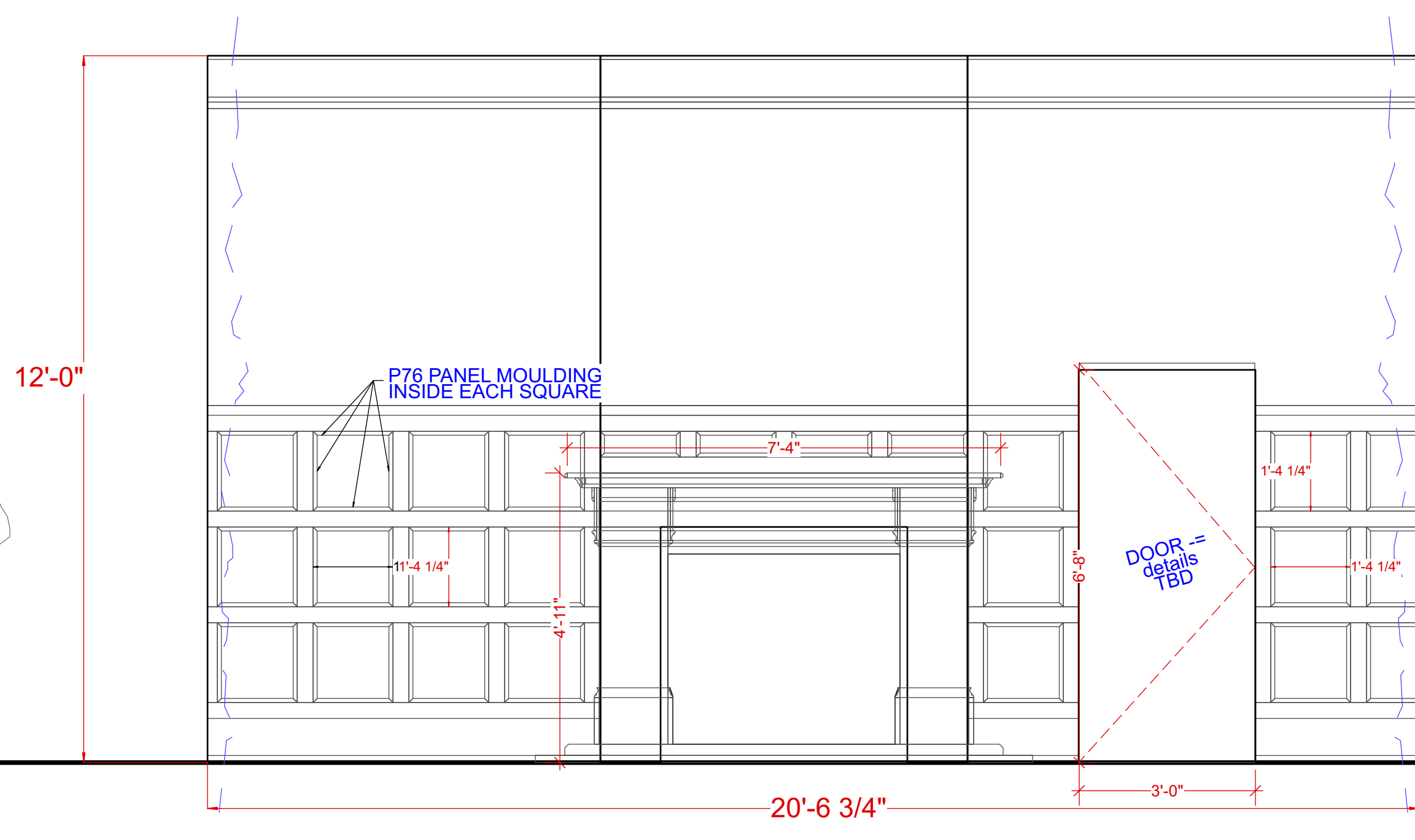
ART DIRECTOR:
JOEY SARNO
252-286-7003

1. 3

JIM HENSON STUDIOS



PLEXI GLASS IN ALL WINDOWS
WINDOWS GIMBLE



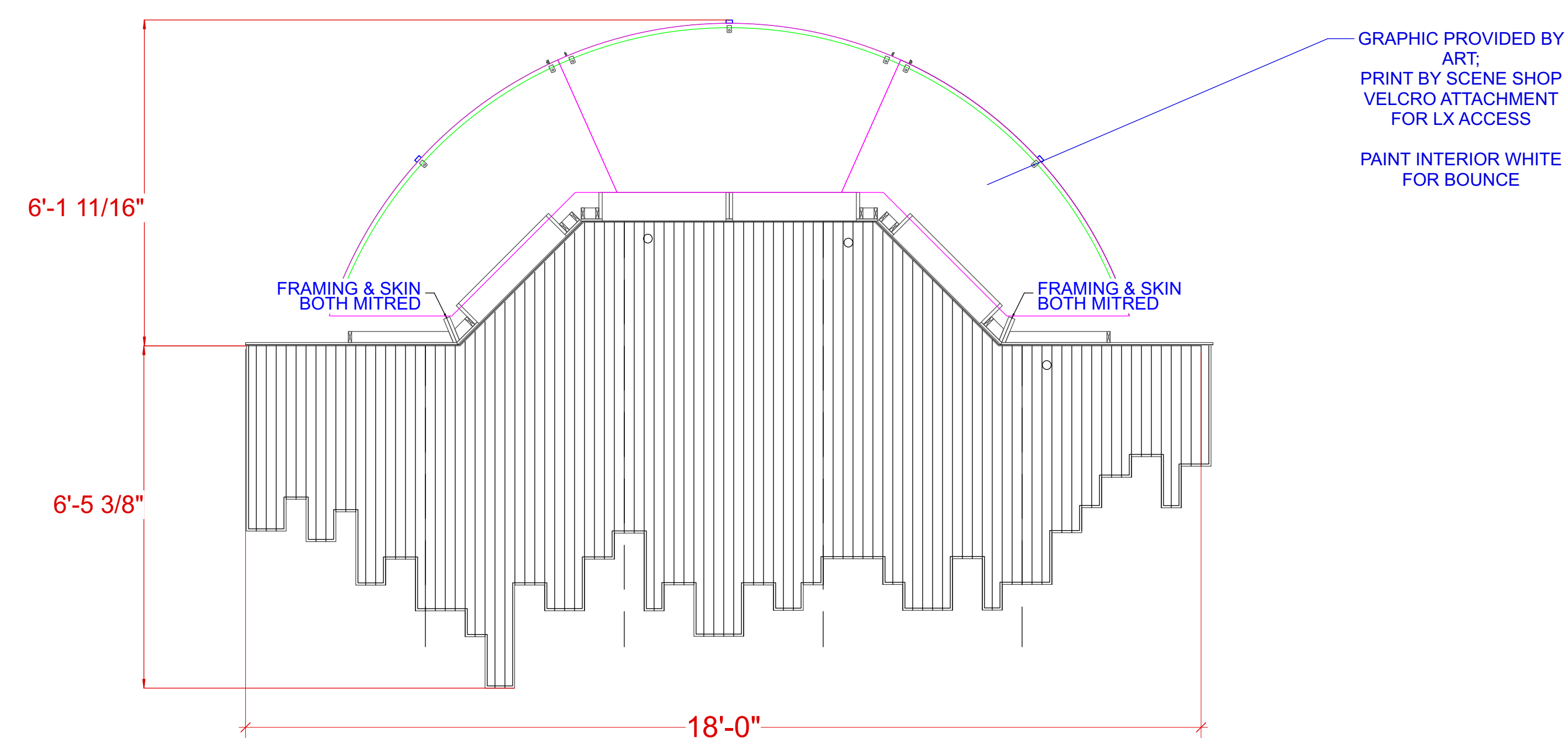
P76 PANEL MOULDING INSIDE EACH SQUARE

DOOR - GIMBLE TBD

***NOTE:** STAGING SUPERVISOR SHOULD SUPPLY ALL SANDBAGS AND STAGE WEIGHTS NEEDED FOR SCENIC JACKS.

***SCENIC JACKS PROVIDED BY THE SCENIC ROUTE.**

***INTERNAL WARM WHITE LED TAPE WITHIN BOOKSHELF UNITS & UNDERNEATH HOST ISLAND.**

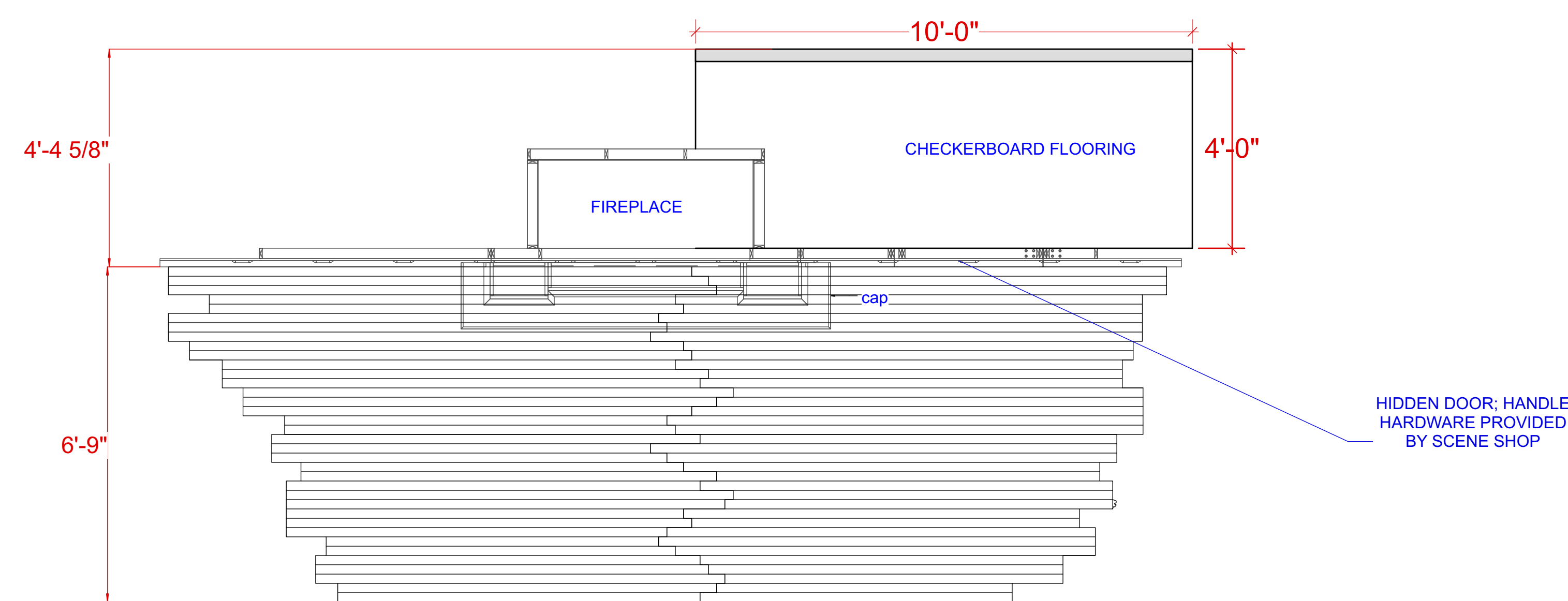


GRAPHIC PROVIDED BY ART
PRINT BY SCENE SHOP
VELCRO ATTACHMENT FOR LX ACCESS
PAINT INTERIOR WHITE FOR BOUNCE

FRAMING & SKIN BOTH MITRED

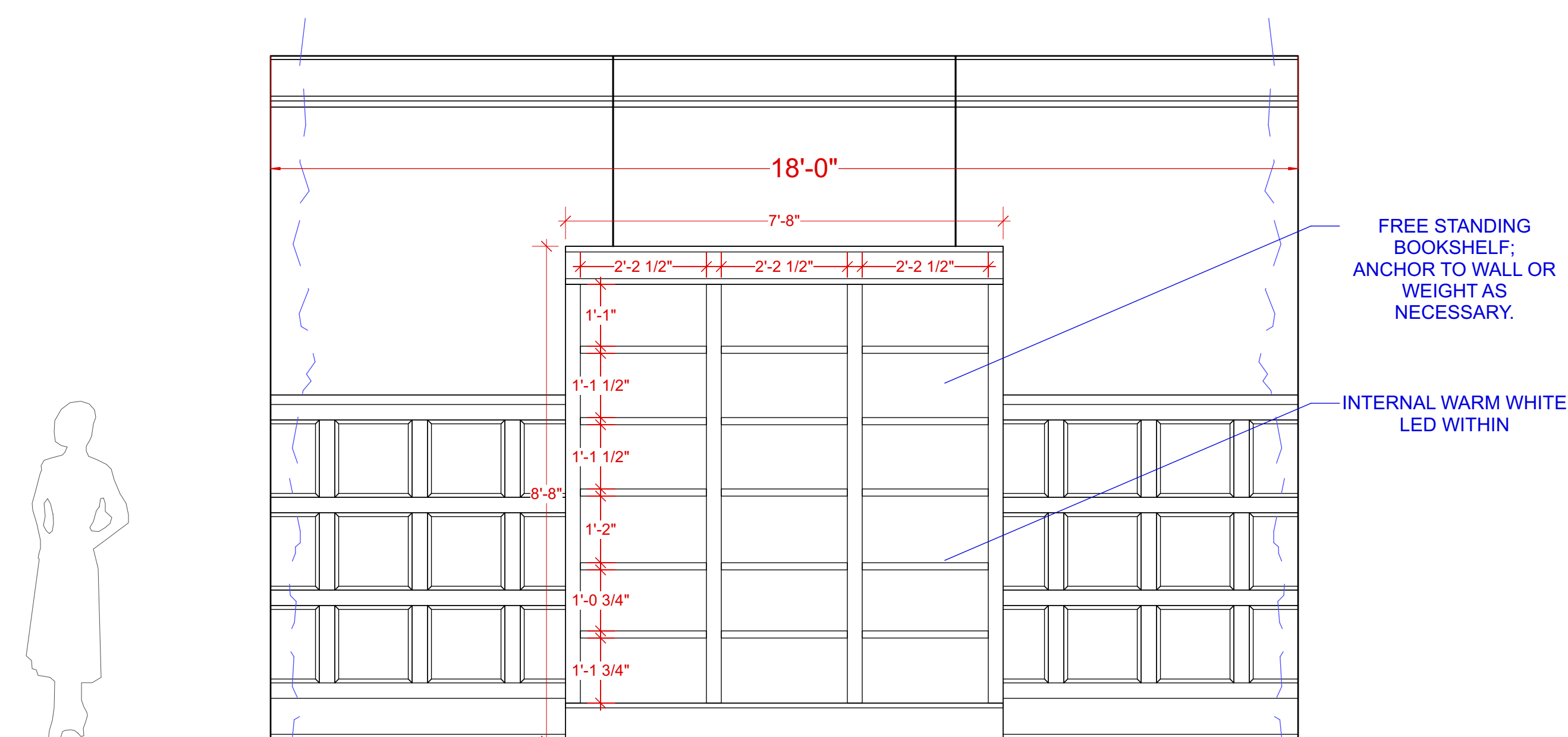
FRAMING & SKIN BOTH MITRED

WINDOW UNIT
SCALE: 1/2"=1'-0"



FIREPLACE UNIT
SCALE: 1/2"=1'-0"

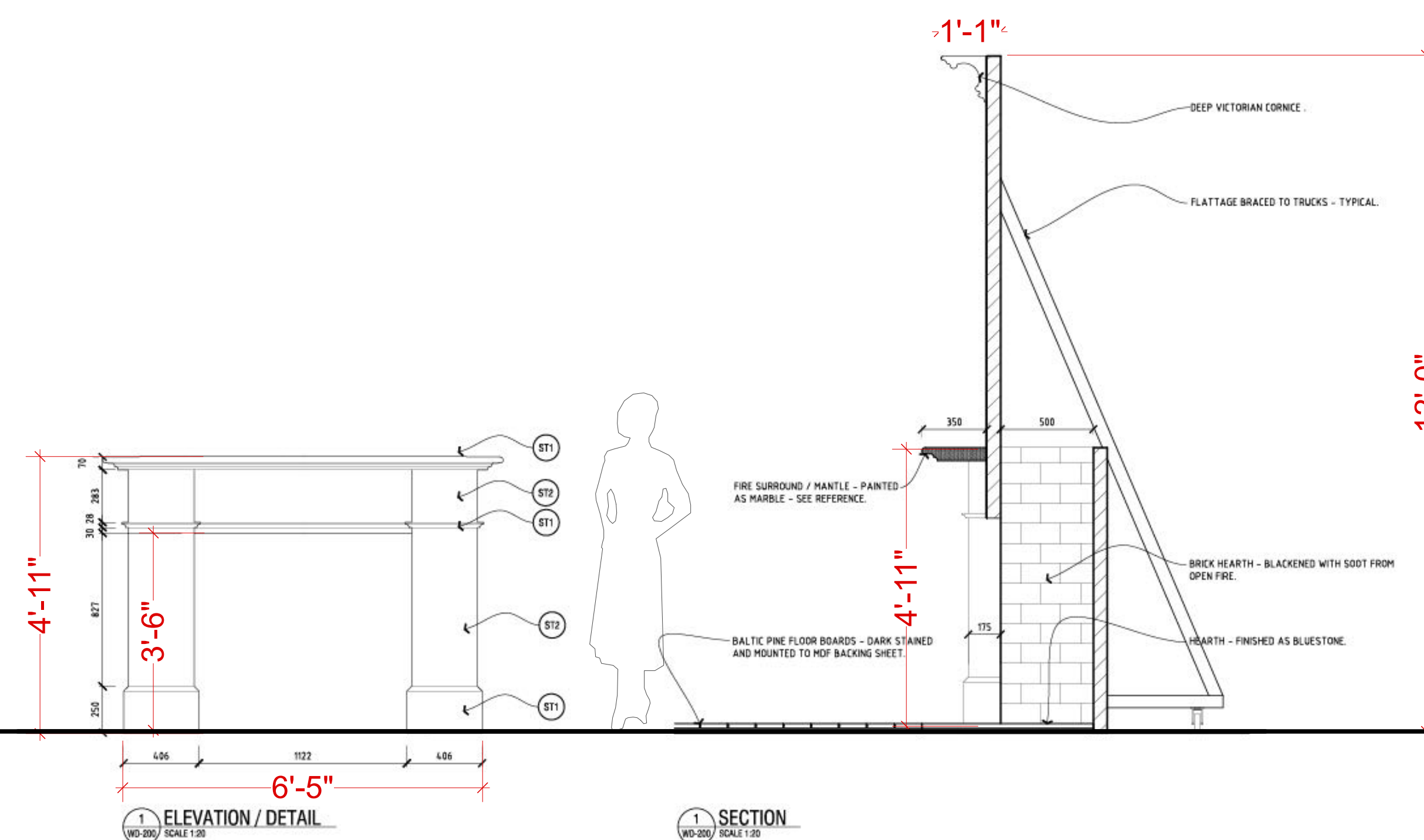
HIDDEN DOOR: HANDLE HARDWARE PROVIDED BY SCENE SHOP



FREE STANDING BOOKSHELF
ANCHOR TO WALL OR WEIGHT AS NECESSARY

INTERNAL WARM WHITE LED WITHIN

BOOKSHELF UNIT
SCALE: 1/2"=1'-0"



ELEVATION / DETAIL

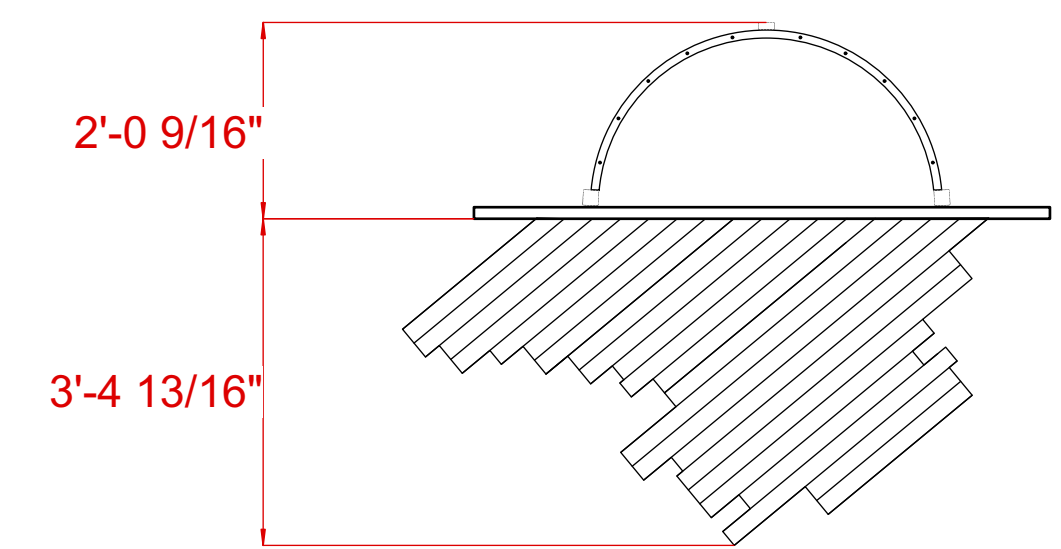
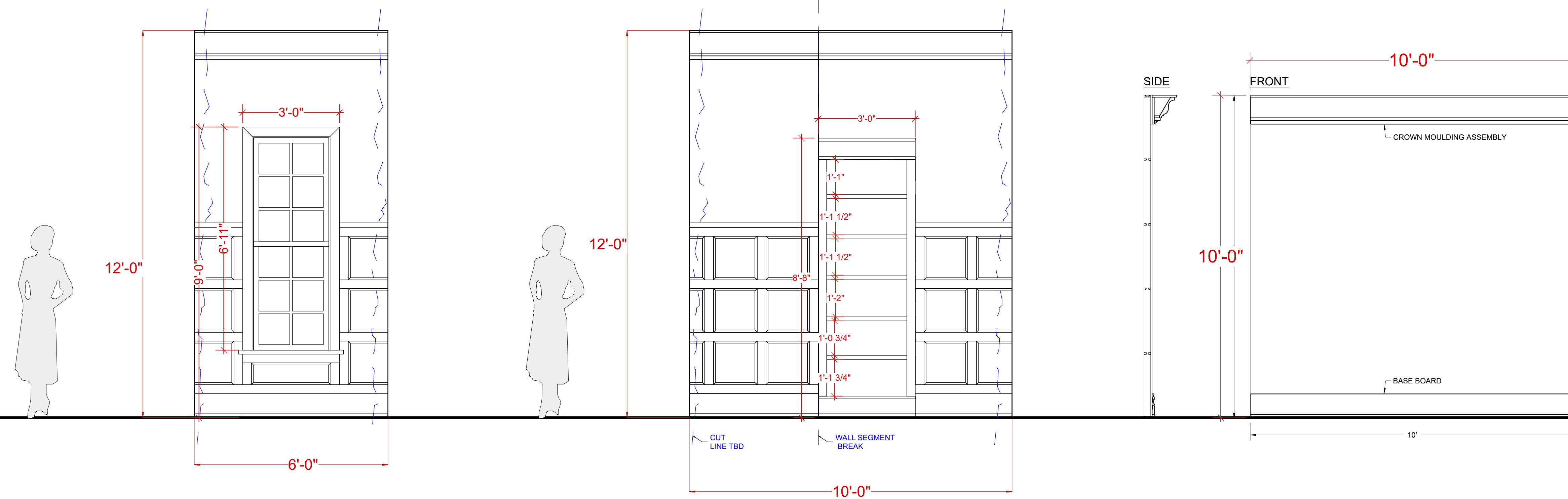
SECTION

TRUE STORY WITH ED & RANDALL	
SCENIC UNIT ELEVATIONS	
EPISODE TITLE: TBD	
DIRECTOR: TBD	
EPISODE #: TBD	READ DATE: 00-00-00
DATE DRAWN: 03-18-21	SHOW DATE: 00-00-00
PROD. DESIGNER: ADAM ROWE 818-252-6837 ART DIRECTOR: JOEY SARNO 252-286-7003	
2 . 3	
SCALE: 1/2"=1'-0"	

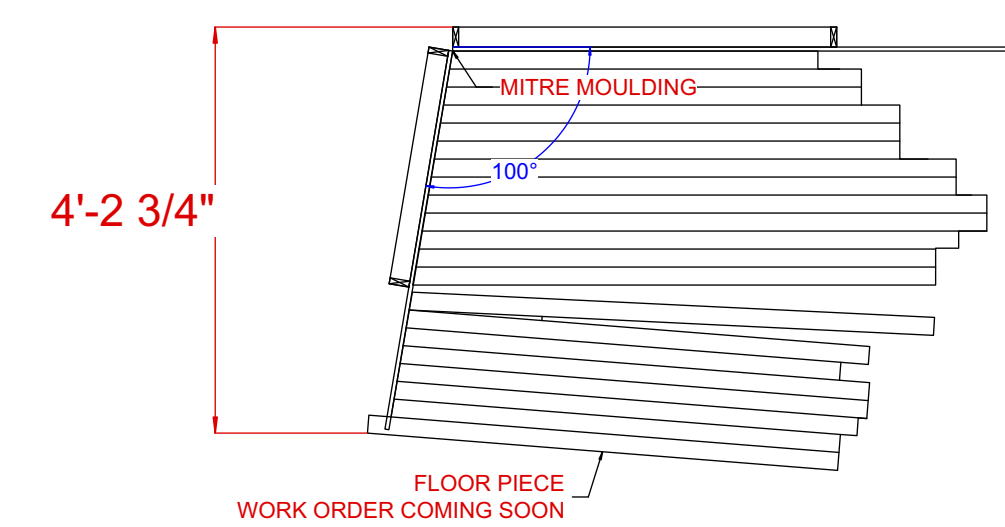
***NOTE:** STAGING SUPERVISOR SHOULD SUPPLY ALL SANDBAGS AND STAGE WEIGHTS NEEDED FOR SCENIC JACKS.

***SCENIC JACKS PROVIDED BY THE SCENIC ROUTE.**

***INTERNAL WARM WHITE LED TAPE WITHIN BOOKSHELF UNITS & UNDERNEATH HOST ISLAND.**

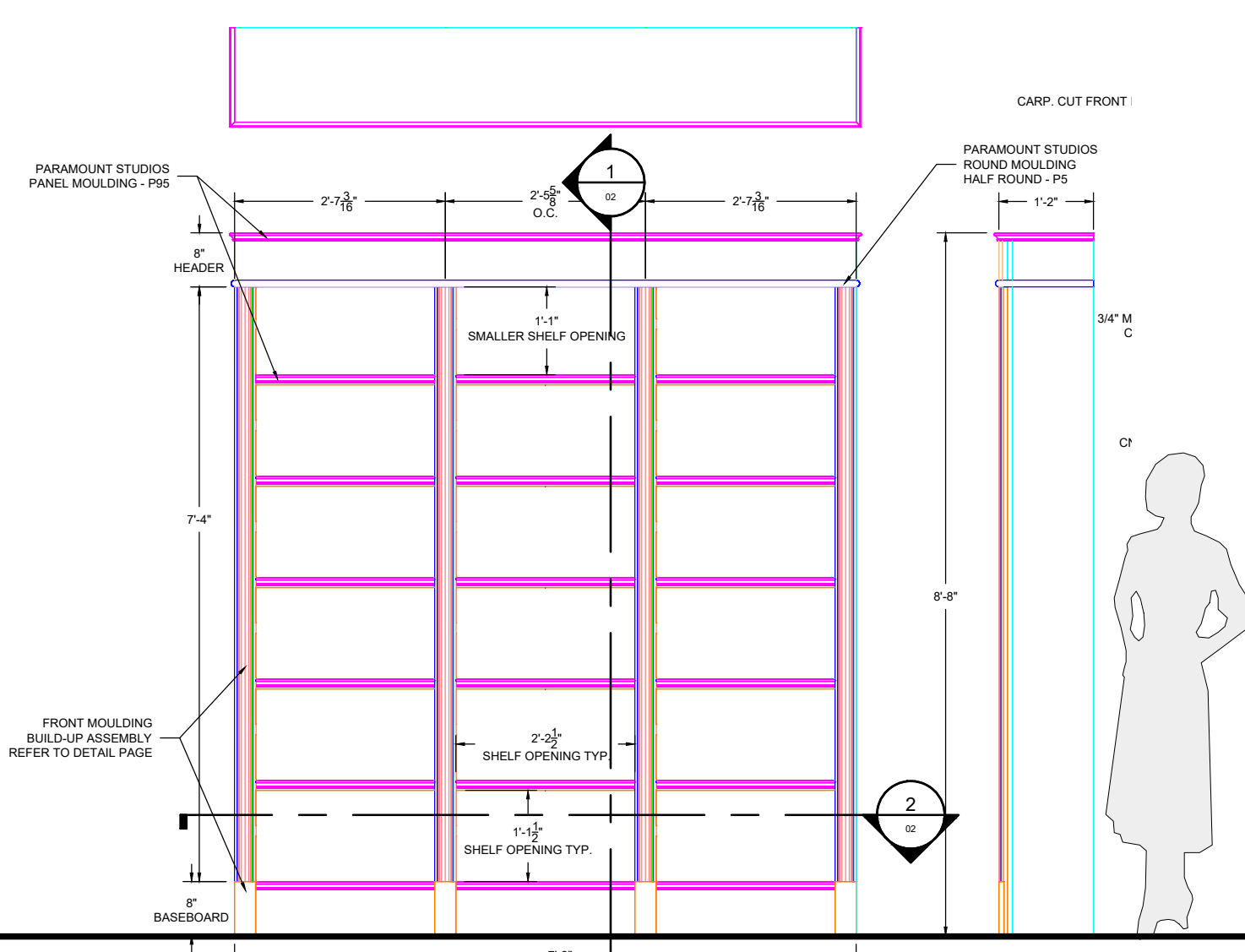


SINGLE WINDOW UNIT
SCALE: 1/2"=1'-0"

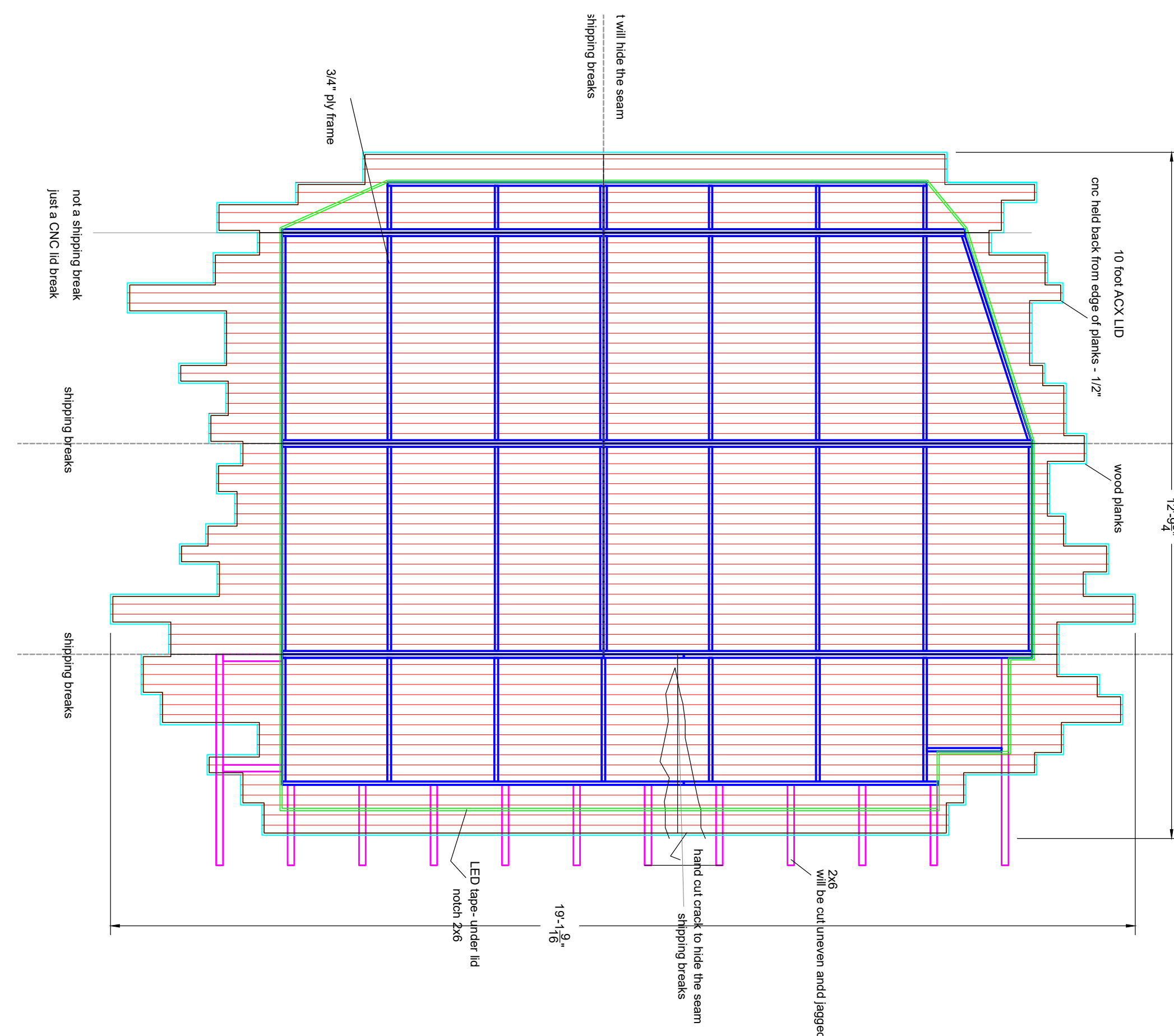


SINGLE BOOKSHELF UNIT
SCALE: 1/2"=1'-0"

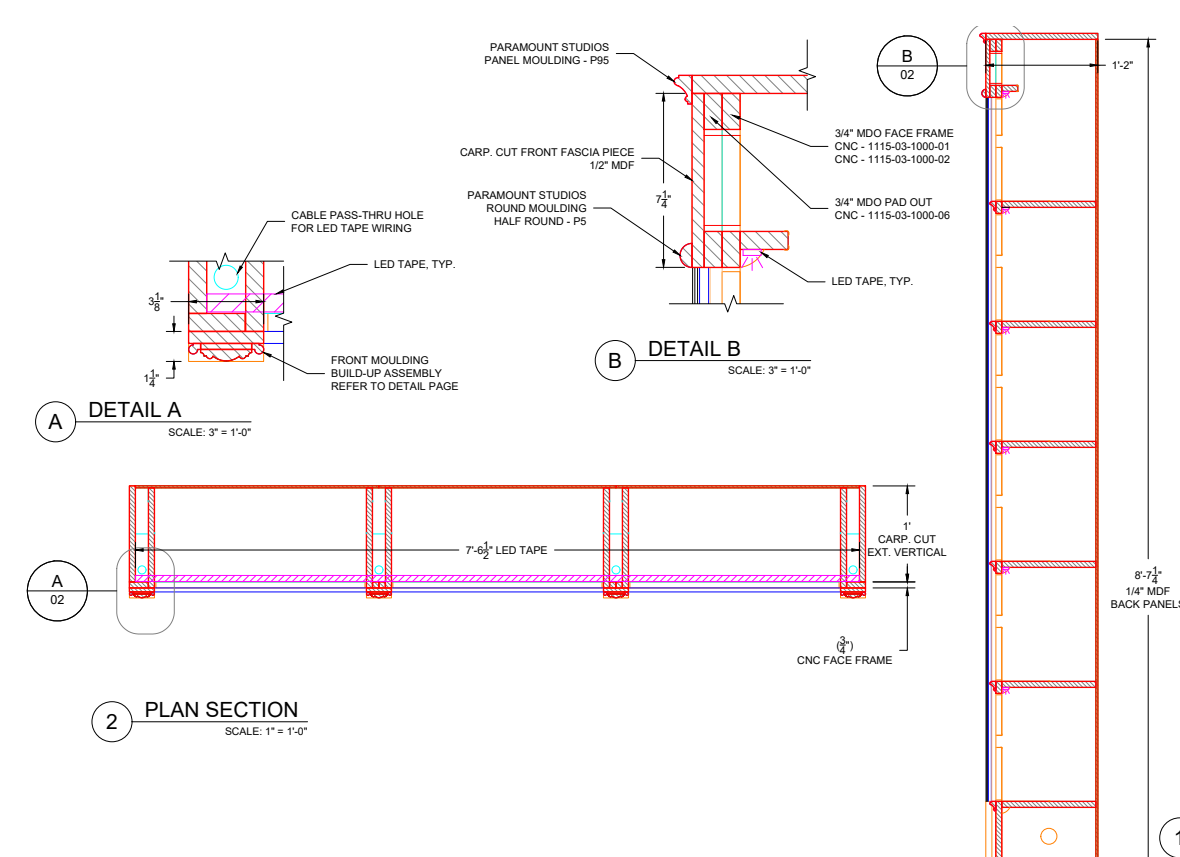
BACKING WALL FLAT
SCALE: 1/2"=1'-0"



BOOKCASE UNIT
SCALE: 1/2"=1'-0"



HOST PLATFORM
SCALE: 1/2"=1'-0"



BOOKCASE UNIT PLAN & SECTION
SCALE: 1/2"=1'-0"

TRUE STORY WITH ED & RANDALL

SCENIC UNIT ELEVATIONS

EPISODE TITLE: TBD

DIRECTOR: TBD

EPISODE #: TBD

READ DATE:
00-00-00

DATE DRAWN:
03-18-21

SHOW DATE:
00-00-00

PROD. DESIGNER:
ADAM ROWE
818-252-6837
ART DIRECTOR:
JOEY SARNO
252-286-7003

3 - 3

SCALE: 1/2"=1'-0"